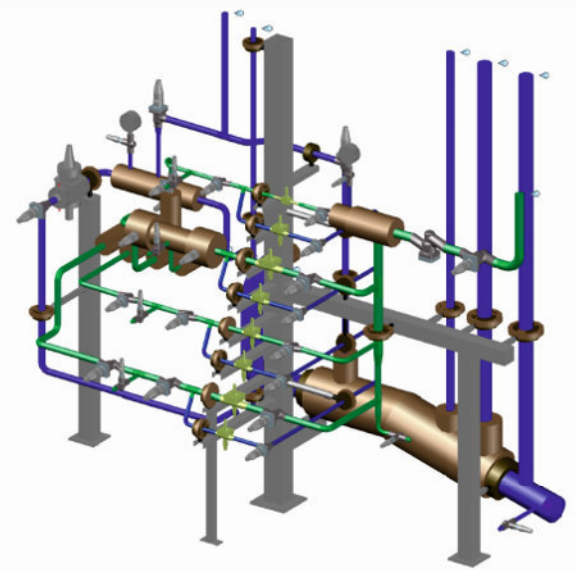
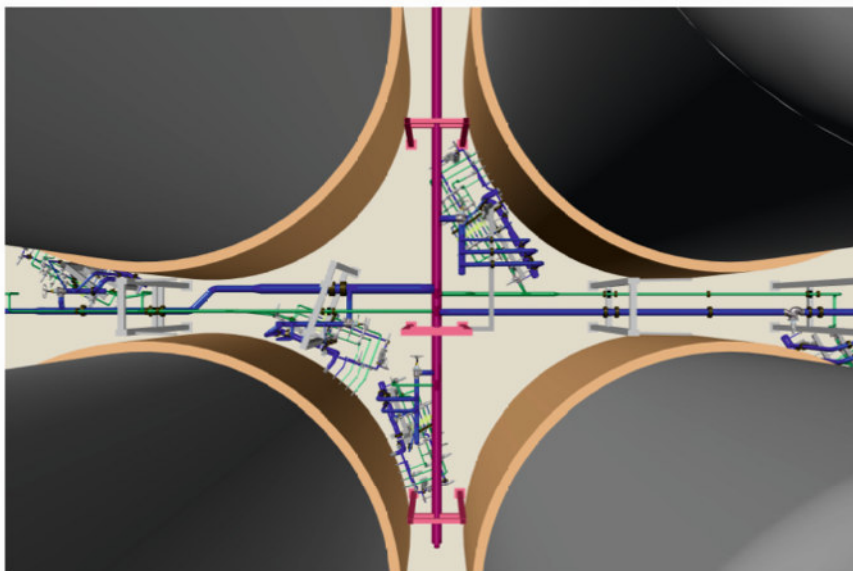


■ PLANT CONSTRUCTION



EXTENSION OF
NH₃- SUPPLY FOR CCT
OF A BREWERY
CENTRAL AMERICA

DESIGN AND SUPPLY
Valves | Pipes | Steel support

Dimensioning and 3D - design of valve stations and main lines, delivery of components and support materials

Refrigeration

Water
Wastewater
Customised systems
CHP and energy plants